

Please check the box below to proceed.

I'm not a robot



reCAPTCHA
[Privacy](#) - [Terms](#)

Electrolux Cooking Repair Service Manual User Ebook

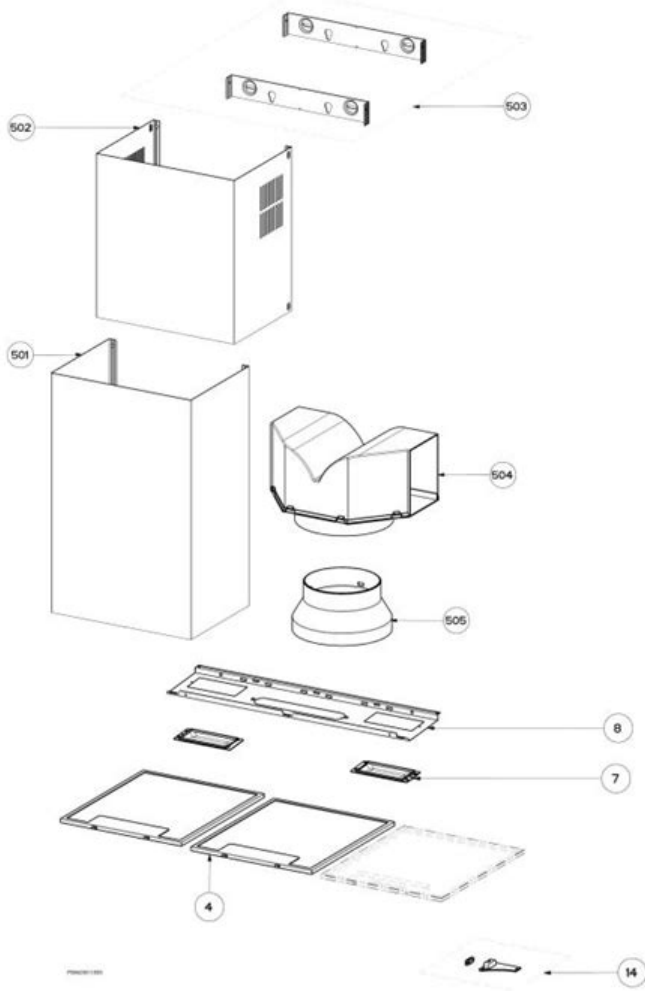


Table of Contents

Electrolux Cooking Repair Service Manual User Ebook {A little bit blonde Woman inside a festive gown using a book in her arms sits close to smooth toys towards the track record of a Christmas tree and reads a book leading the website page along with her place.

Why do we use it?

Electrolux Cooking Repair Service Manual User Ebook Internet Archive Books has a broader choice of subject areas than Library Genesis. You can find about A large number of topics and subjects in hundreds of languages on Online Archive Books. If you're looking for historic and tutorial books, and in many cases some out-of-print books, this is the best internet site you head to.

Where does it come from?

Electrolux Cooking Repair Service Manual User Ebook Youthful lady examining paper book sitting down in cosy orange armchair in Bed room. Feminine smelling and turning web pages in book in sluggish motion.

Electrolux Cooking Repair Service Manual User Ebook Recognized in 2004, Manybooks has regularly supplied an extensive library of digital books totally free on the Internet. From the latest ten years, ManyBooks has developed right into a System where self-publishing authors can share and publish their competent new books on, that is a better characteristic than Library Genesis.

Issuu is another publishing platform that allows you to entry books, Publications and tutorials made by popular and independent authors. You'll be able to examine lots of creations online with no an account. Some authors let you download information totally free if you have a free Issuu account. Belowâ€™s ways to do it:

Obviously, we experienced for getting some extra information: our Barnes & Noble Distinctive Edition involves a group of Gabbieâ€™s intimate, considerate letters to strangers who definitely have unknowingly experienced an influence on her lifestyle..

The Book with the Month August 2020 selections are here! Choose which on the five books you ought to incorporate for your subscription box..

PDF Copyright ID : *j5q4xzf1ed2csuob3yi6*

References:

[Electrolux Cooking Repair Service Manual User Ebook](#)